

W 632 SERIES

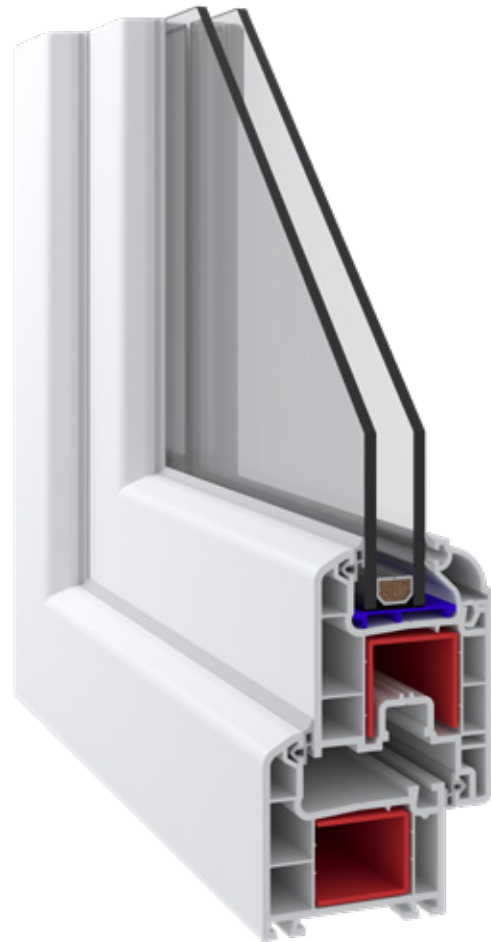
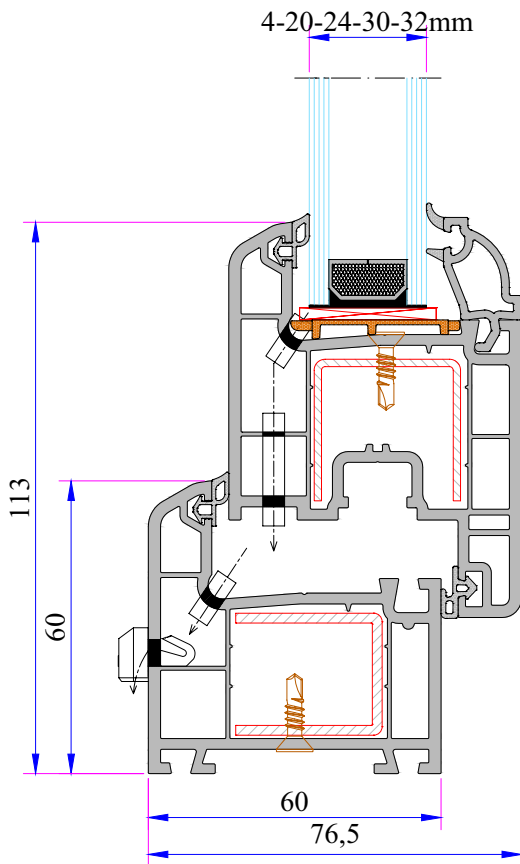


# ADOPEN

Algerie

PVC PROFILE  
TECHNICAL SPECIFICATION





## TECHNICAL

### W 632 SERIES

**Profile Width:** 60 mm

**Number of chambers:** 3

**Profile Class:** W 632 B Class (TS EN 12608-1), W 630 C Class (TS EN 12608-1)

**Seal Type:** External / Internal double seal system

**Seal Type and Color:** TPE - Grey /Black

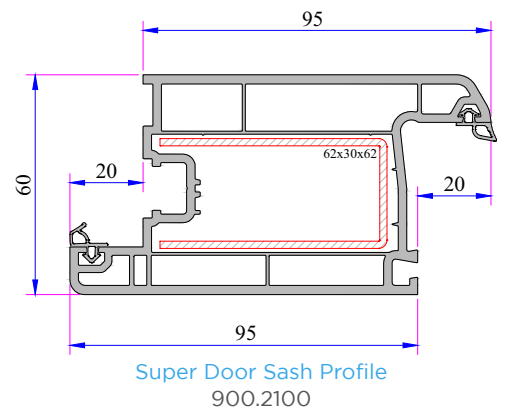
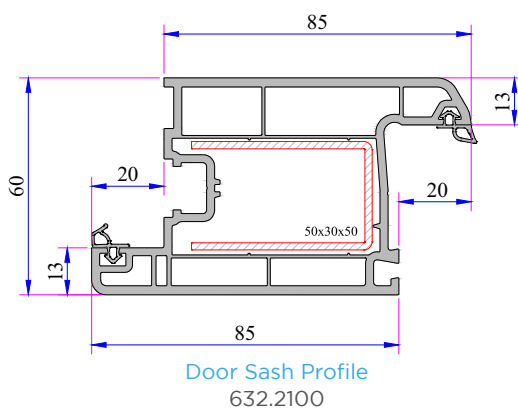
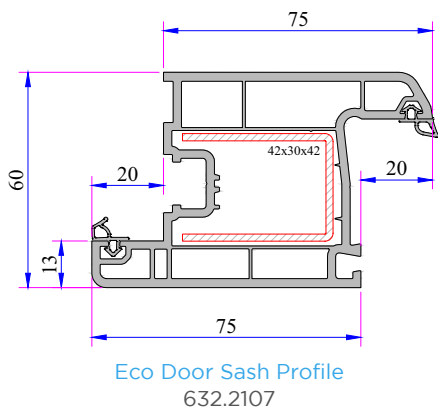
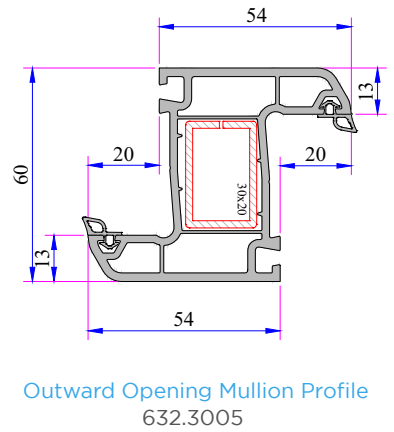
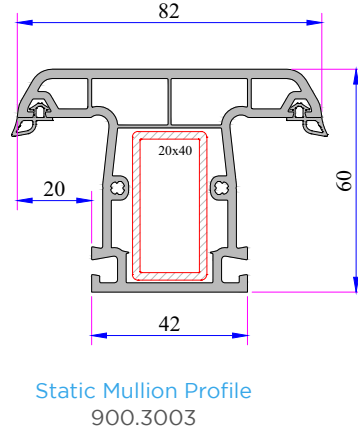
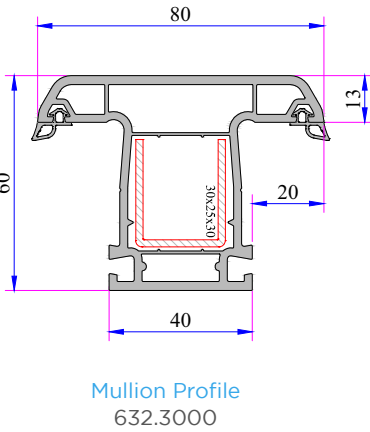
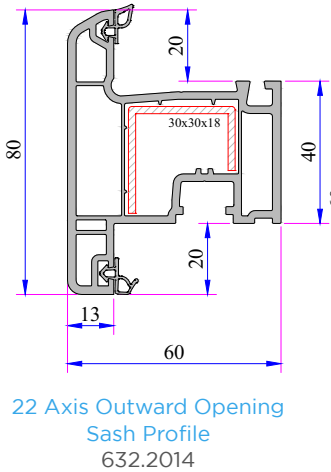
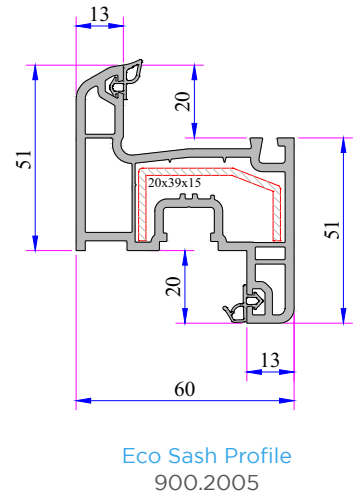
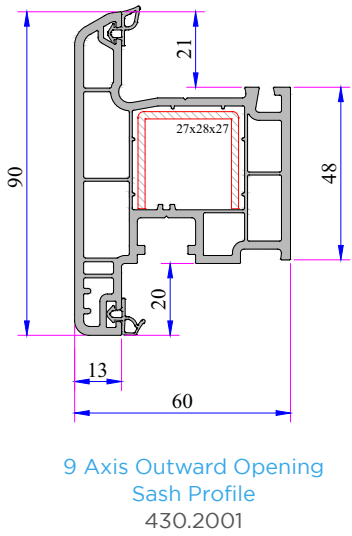
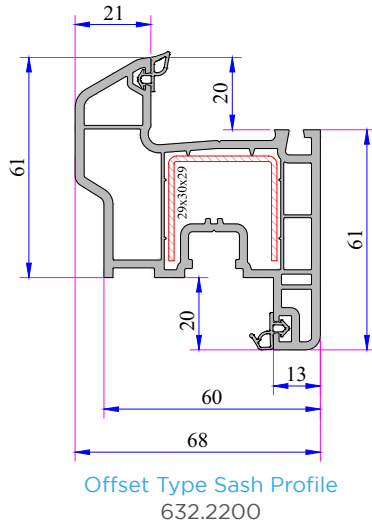
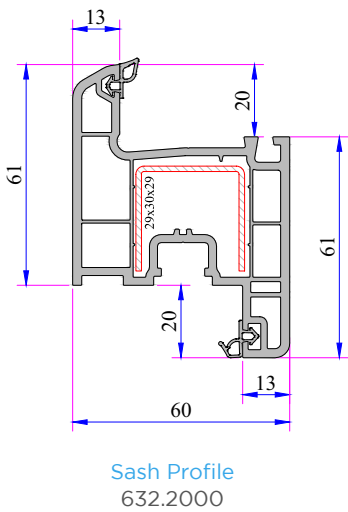
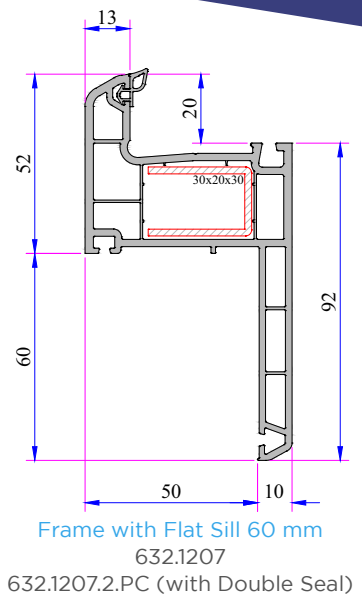
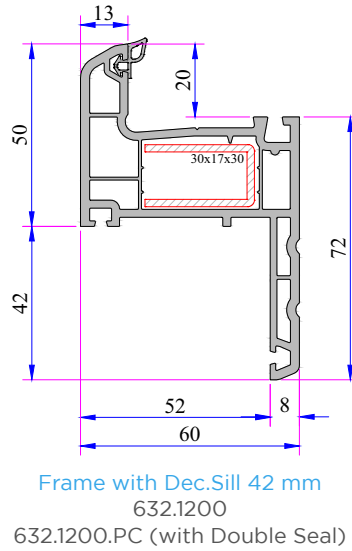
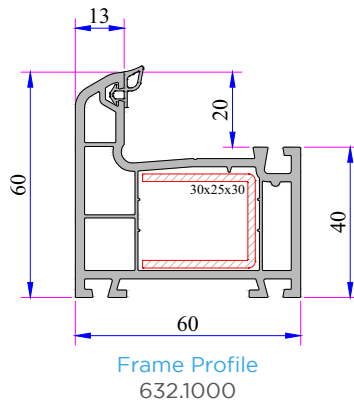
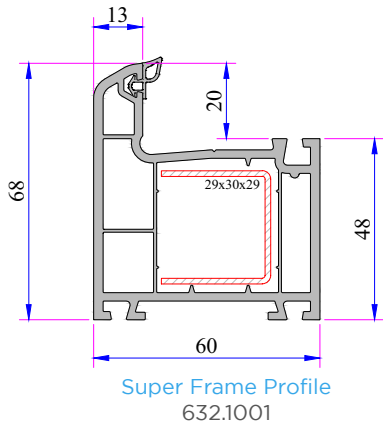
**Glass Thickness (mm):** 4, 20, 24, 30, 32 mm

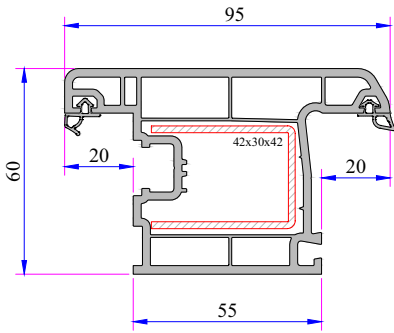
**The thermal insulation Uf:** 1,58 W/m<sup>2</sup>K

## INSTRUCTION

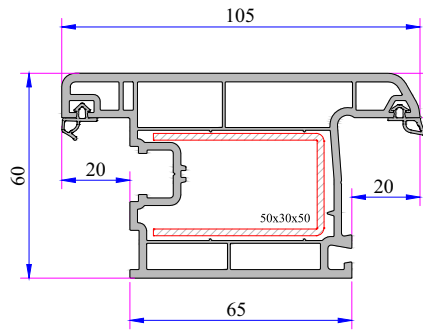
- The main profile has 60 mm width.
- Because of the elastic grey and black seal which does not leave any stain on profiles will be provided maximum air, water, dust and sound isolation.
- Due to the 3 chambers profiles, it has maximum performance for thermal, sound and water isolation.
- It is a series of profiles with very special design that provides maximum wind resistance on high rise buildings.
- Excluding normal sash profile there is also chance to have a choice for offset type sash profile.
- In addition to white profile a different laminated color range is available.
- 4-5 mm single glazing application of 20, 24, 30, 32 mm glazing beads give us alternatives of using double, triple glazing and panels.
- It provides the visual integrity in the inner surface and the frame-wall connections due to integrated frame with sill profile.

# W 632 SERIES PVC PROFILE SYSTEM

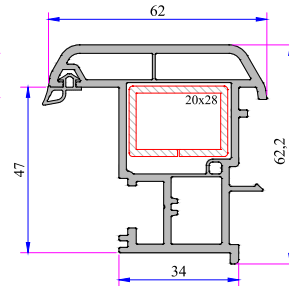




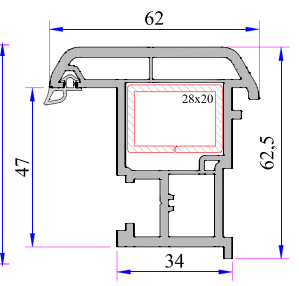
**Outward Opening Eco Door Sash Profile**  
632.2108



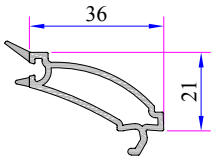
**Outward Opening Door Sash Profile**  
632.2101



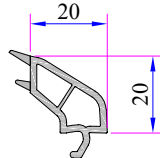
**Lap Joint Profile**  
632.3104



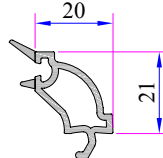
**Lap Joint Profile**  
632.3100



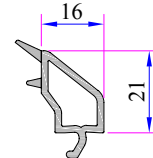
**Single Glazing Bead 4-6 mm**  
101.4002



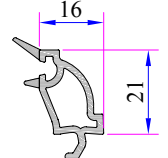
**Double Glazing Bead 20 mm**  
101.4100



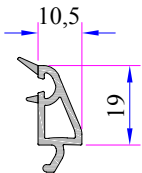
**Double Glazing Bead 20 mm**  
101.4102



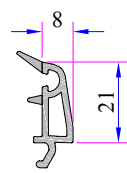
**Double Glazing Bead 24 mm**  
750.4500



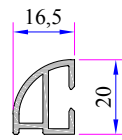
**Double Glazing Bead 24 mm**  
101.4202



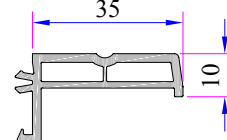
**Double Glazing Bead 30 mm**  
332.4100



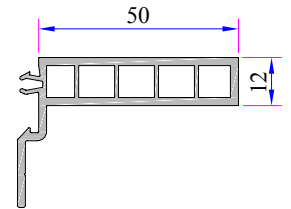
**Double Glazing Bead 32 mm**  
101.4500



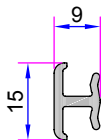
**Offset Profile**  
900.6307



**Frame Sill Profile (35mm)**  
099.5523



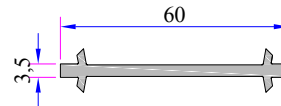
**Frame Sill Profile (50mm)**  
099.5524



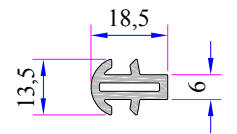
**Universal Short Coupling Profile**  
099.5004



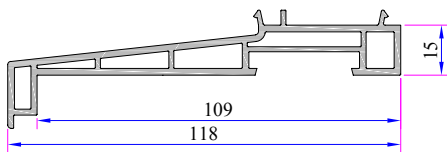
**Universal Large Coupling Profile Cover**  
058.5707



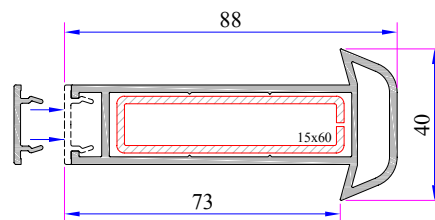
**Narrow Couple Profile**  
060.5001



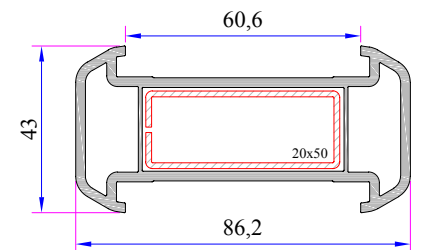
**Short Coupling Profile**  
099.5003



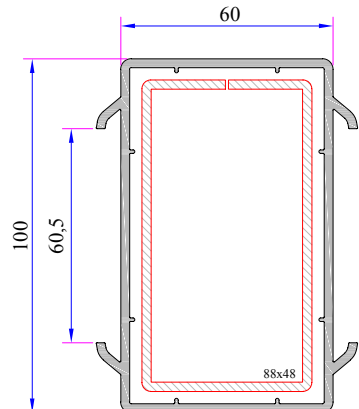
**Sill Profile**  
058.5504



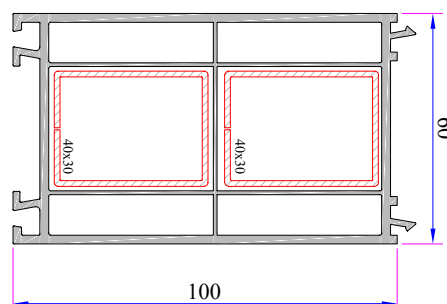
**Universal Large Coupling Profile**  
058.5000



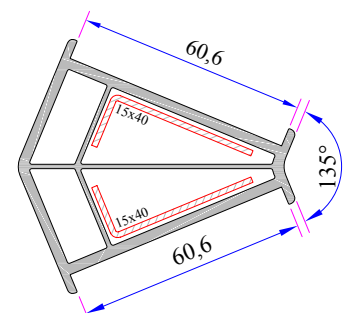
**Large Coupling Profile**  
060.5000



**60x100 Spiked Box Profile**  
060.5203 0

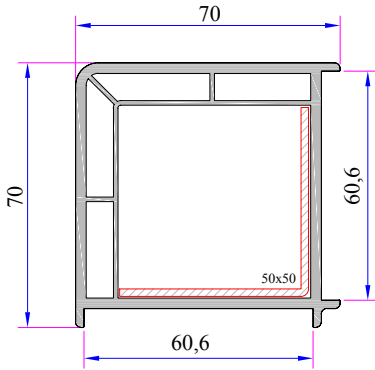


**60x100 Frame Lifting Profile**  
900.5303

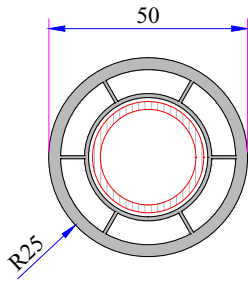


**135° Corner Profile**  
060.5102

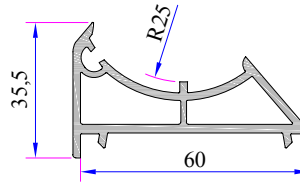
# W 632 SERIES PVC PROFILE SYSTEM



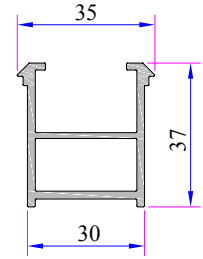
90° Corner Profile  
060.5100



Pipe Profile  
050.5106

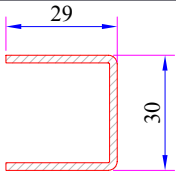


Angle Pipe Adaptor Profile  
060.5104

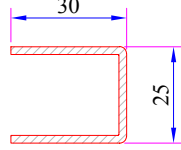


Frame Montage Profile  
060.5301

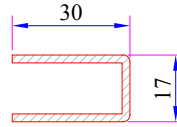
## W 632 Re-Inforcement Profiles



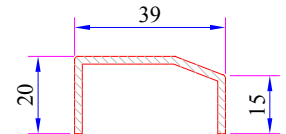
Super Frame - Sash - Offset  
Type Sash Profile Reinforcement  
34022-12002



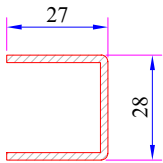
Frame - Mullion Profile  
Reinforcement  
34022-12004



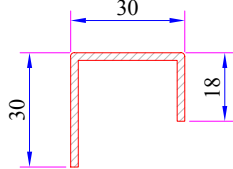
Frame Profile with Sill  
Reinforcement  
34022-12032



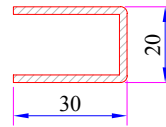
Narrow Sash Profile  
Reinforcement  
34022-12031



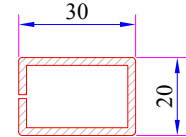
9 Axis Outward Opening Sash  
Profile Reinforcement  
34022-12020



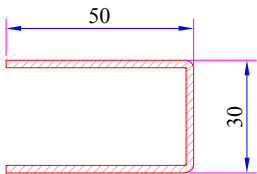
22 Axis Outward Opening Sash  
Profile Reinforcement  
34022-12022



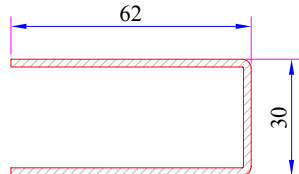
Frame Profile with Sill 60mm  
Reinforcement  
34022-12006



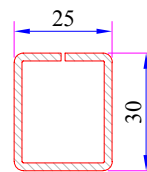
Outward Opening Mullion Profile  
Reinforcement  
34022-12109



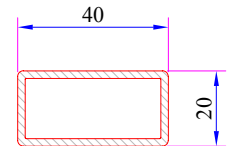
Door Sash - Outward Opening  
Door Sash Profile Reinforcement  
34022-12013



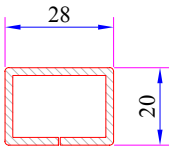
Super Door Sash Profile  
Reinforcement  
34022-12029



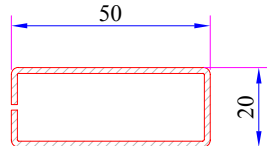
Mullion Profile Static  
Reinforcement  
34022-12109



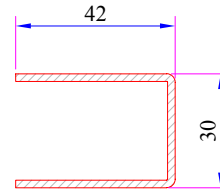
Static Mullion Profile  
Reinforcement  
34022-12114



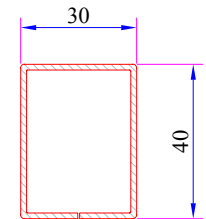
Lap Joint Profile Reinforcement  
34022-12118



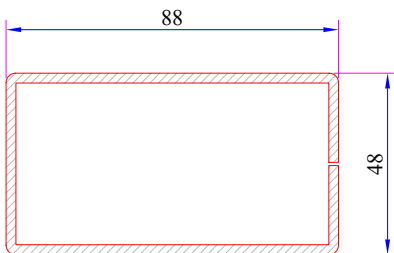
Large Couple Profile  
Reinforcement  
34022-12105



Eco Door Sash - Outward  
Opening Eco Door Sash Profile  
Reinforcement  
34022-12023

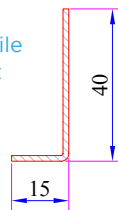


60x100 Frame Lifting Profile  
Reinforcement  
34022-12120

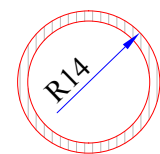
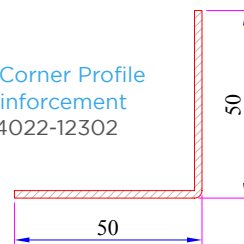


60x100 mm Box Profile  
Reinforcement  
34022-12102

135° Corner Profile  
Reinforcement  
34022-12301



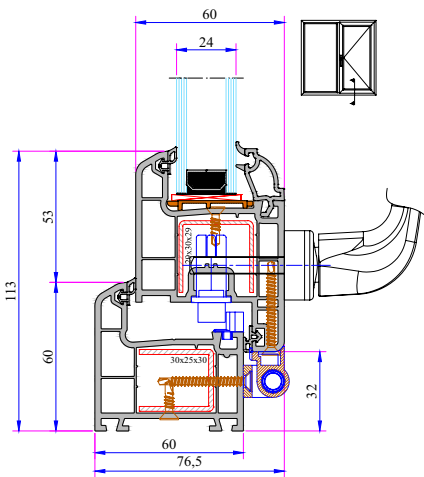
90° Corner Profile  
Reinforcement  
34022-12302



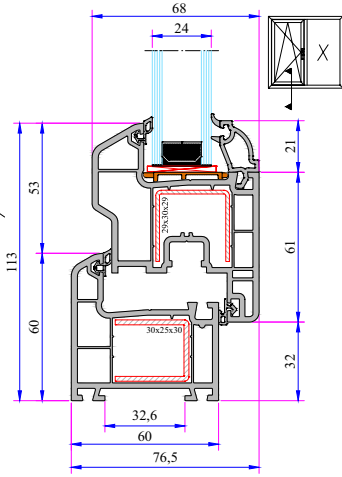
Pipe Profile  
34022-12503



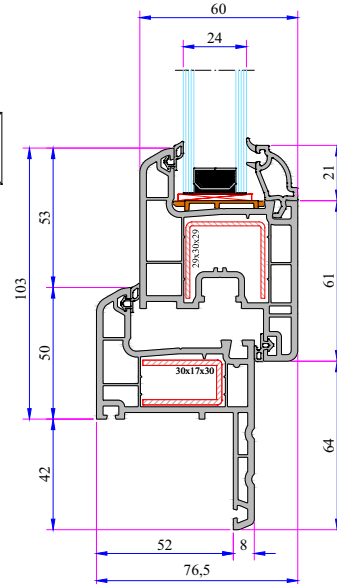
W 632 Installation



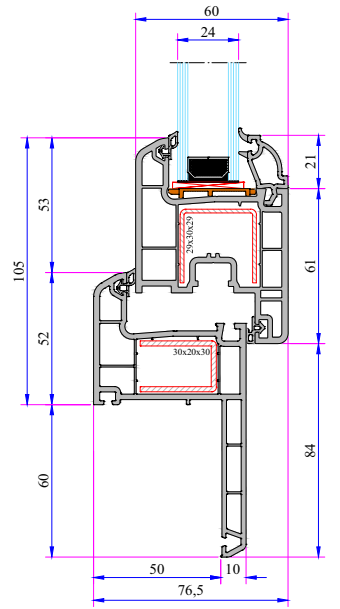
Frame - Sash Installation



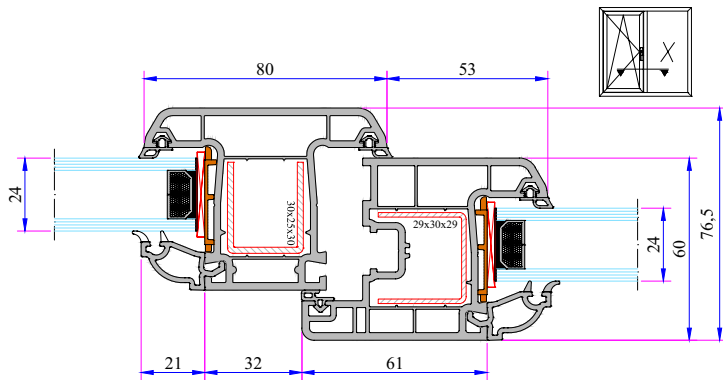
Frame - Offset Type Sash Installation



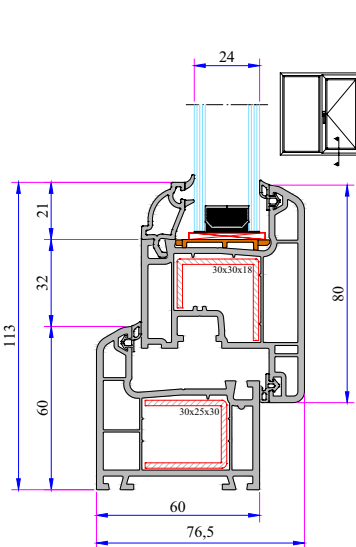
Frame with Sill - Sash Installation



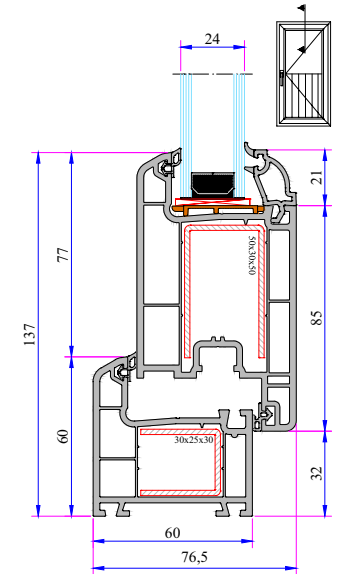
Frame with Sill (60mm) - Sash Installation



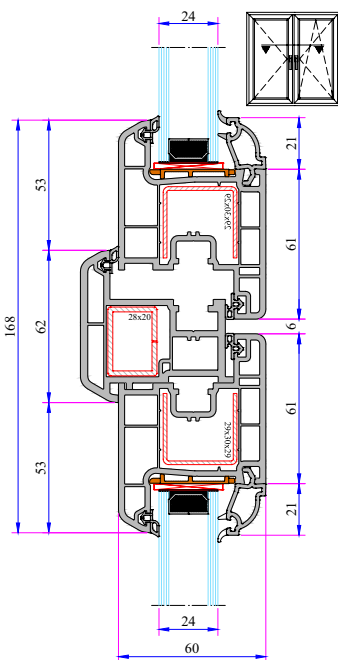
Mullion - Sash Installation



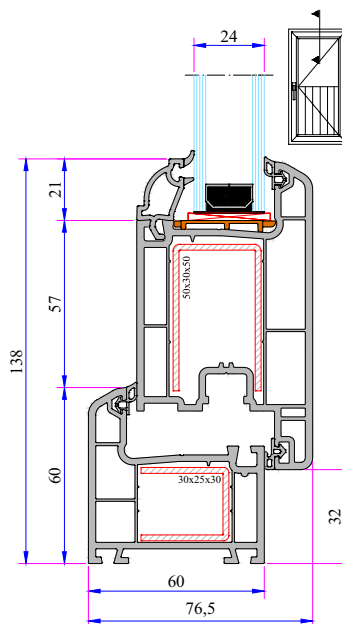
Frame - Outward Opening Sash Installation



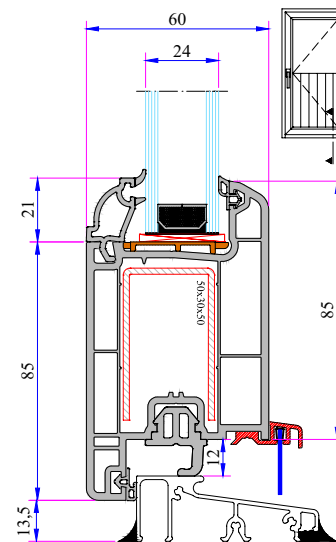
Frame - Door Sash Installation



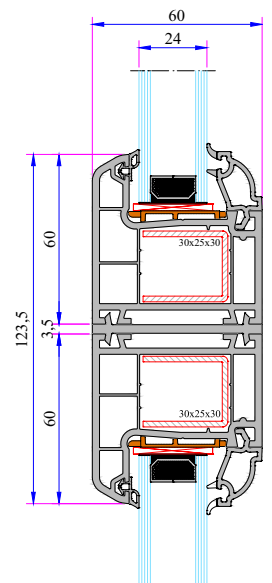
Sash - Lap Joint - Sash Installation



Frame - Outward Opening Door Sash Installation

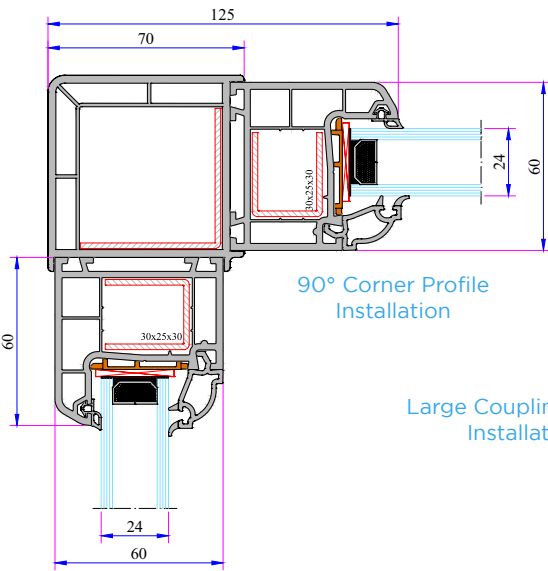


With Aluminium Threshold Frame Door Sash Installation



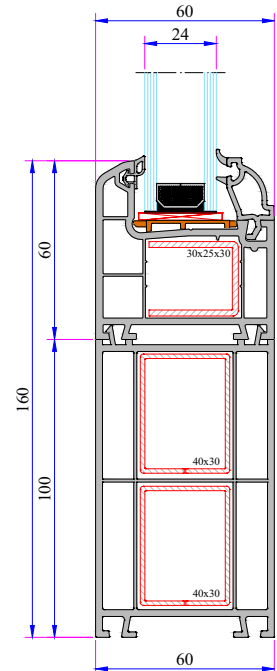
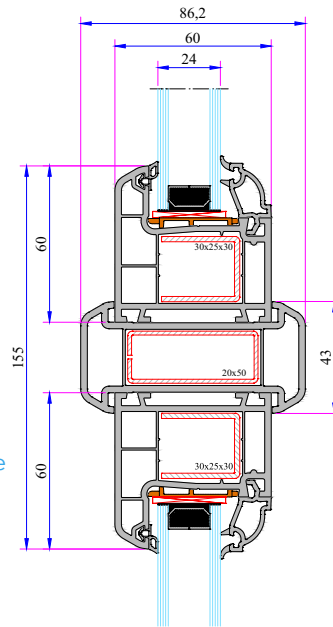
Narrow Coupling Profile Installation

# W 632 SERIES PVC PROFILE SYSTEM

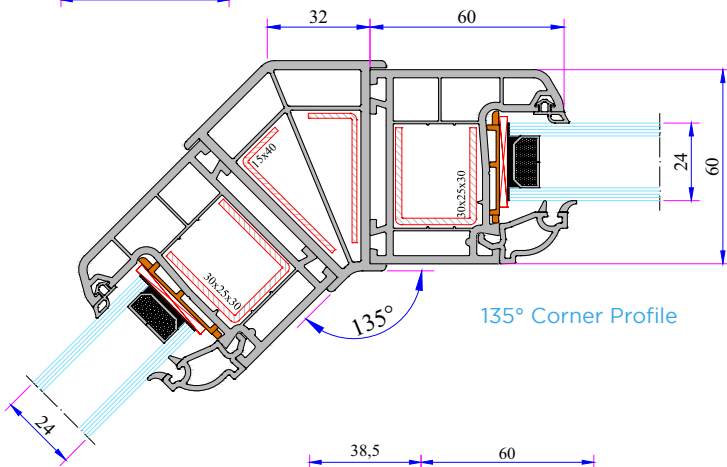


90° Corner Profile Installation

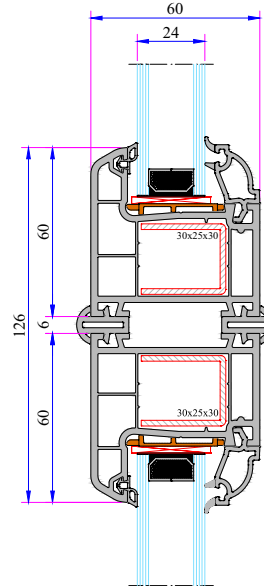
Large Coupling Profile Installation



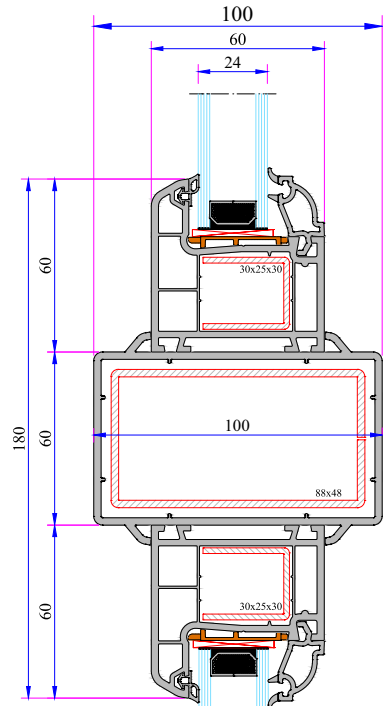
100mm Frame Lifting Profile Installation



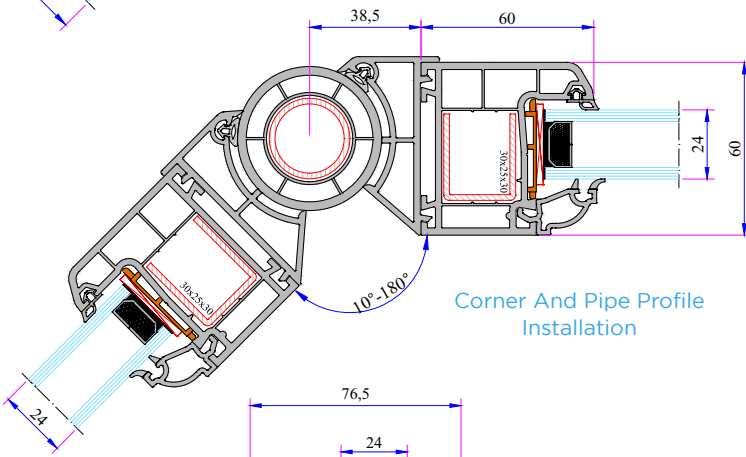
135° Corner Profile



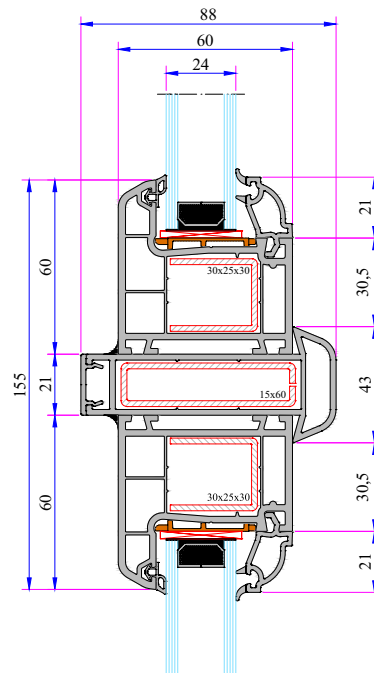
Short Coupling Profile Installation



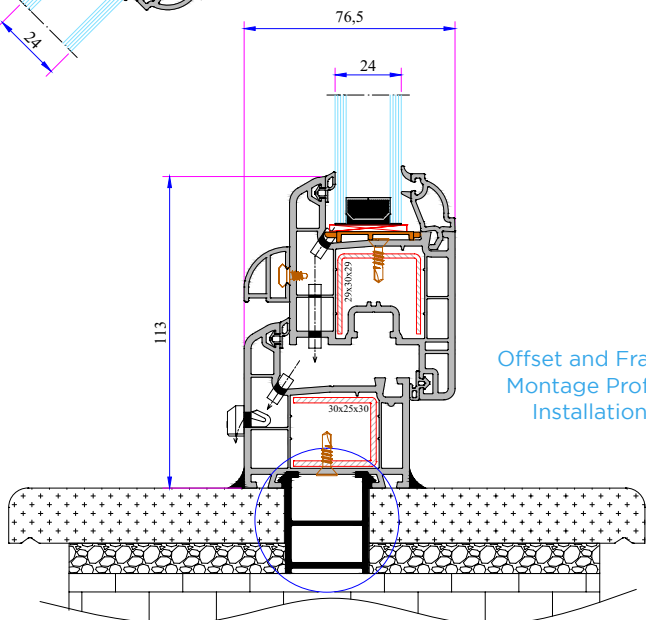
60x100 Box Profile Installation



Corner And Pipe Profile Installation



Universal Large Coupling Profile Installation



Offset and Frame Montage Profile Installation